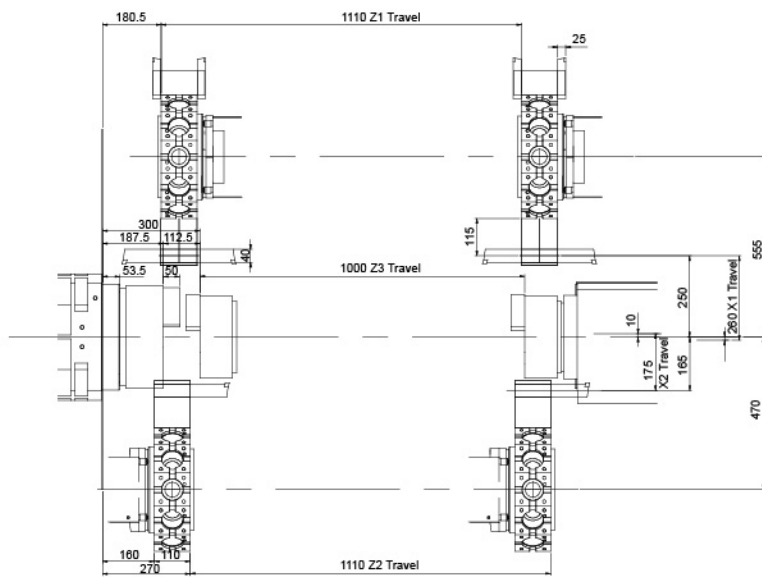


Machine Specifications

ITEM	MODEL	LTC-25T2	LTC-25T2S	LTC-25T2SMY
CAPACITY				
Max. swing	mm (in)	868(34.17)	868(34.17)	860(33.85)
Max. turning diameter (upper & lower)	mm (in)	510(20)	500(19.68)	500(19.68)/330(12.99)
Max. turning length	mm (in)	1500(59)	1020(40)	1020(40)
Bar Capacity	mm(in)	77(3)	77(3)	115(4.5)
Max. workpiece weight (without tailstock)	kg	29	500	50
TRAVEL				
X 1 axis	mm (in)	255(10)+20(0.78)	250(9.84)+10(0.39)	250(9.84) + 10(0.39)
X 2 axis	mm(in)	180(7.08)+20(0.78)	150(5.91)+10(0.39)	165(6.49) + 10(0.39)
Z 1 axis	mm(in)	1580(62.2)	1100(43.3)	1110(43.7)
Z 2 axis	mm(in)	1530(60.2)	1100(43.3)	1110(43.7)
Z 3 axis	mm(in)	—	—	1000(39.37)
Y axis	mm(in)	—	—	±80(±3.15)
SPINDLE				
Spindle speed	rpm	3500	3500	3000
Chuck size	in	10	10	12
Spindle nose		A2-8	A2-8	A2-11
Through hole diameter	mm(in)	89(3.5)	89(3.5)	127(5)
SUB SPINDLE				
Sub spindle speed	rpm	---	3500	3000
Sub chuck size	in	---	8	10
Spindle nose		---	A2-6	A2-8
Bar capacity	mm(in)	---	51(2)	78(3)
Through hole diameter	mm(in)	---	76(2.9)	89(3.5)
FEEDRATE				
X / Y / Z axis rapid travers	m(ft)/min	15/-/20(19.68/-/26.24)	15/-/20(19.68/-/26.24)	15/20/7.5(19.68/26.24/9.84)
TURRET				
Number of tool stations		12	12	12(BMT65+DIN5480) x 2 = 24
Shank height for square tool	mm(in)	25(1)	25(1)	ψ25(1)
Shank diameter for boring bar	mm(in)	40(1.5)	40(1.5)	□40(1.5)
Turret indexing time (adjacent tool)	sec	0.3	0.3	0.9
Turret indexing time (180°)	sec	0.8	0.8	2.2
MOTORS				
Spindle / Sub spindle motor power	kw(HP)	22(29)	22(29)	21.5(28.8)/18(24)
X1/X2/Z1&2/Y axis motor power	kw(HP)	4/-/7/-/5/-/9/-/1	7/4/4/-/9/5/5/-/1	7.75/4.3/4.71/4.71/2.39(10/5.76/6.3/3.2)
MISCELLANEOUS				
Power Requirements	KVA	70	70	65
Height of machine	mm(in)	2269(89.33)	2269(89.33)	2610
Floor space(LxW)	mm(in)	6112(240.6)X 3428(135)	6112(240.6)X 3428(135)	6290(248) x 3250(128)
Total Machine Weight	kg	9000	9000	12000
Control		0-T	0-T	840D

Working Range



STANDARD ACCESSORIES

- BMT+DIN5480 Disc
- Buzzer
- Fully enclosed splash guard
- 3 jaw open center chuck
- Foot switch
- V-belt
- Chip conveyor + bucket
- C axis and driven
- Air conditioner

Optional Accessories

- Alarm lamp
- High pressure pump
- Two speed gear box
- 3 jaw close center chuck
- Robotic arm
- Auto door
- Spindle air outer blow
- Mist collector
- Oil skimmer
- H.T.D. belt
- Linear Scale X/Z axis
- Manual tool setter
- Bar feeder
- Fanuc 31i control
- Mitsubishi control
- Automatic workpiece measurement



- Quality Is Our Nature
- In Search of Excellence
- LEADWELL Leads the Industry in Taiwan, in the World

LEADWELL
LEADWELL CNC MACHINES MFG., CORP.



LEADWELL CNC MACHINES MFG., CORP.



NO.23, Gong 33th Road, Taichung Industrial Park
Taichung 407, Taiwan
TEL: 886-4-23591880
FAX: 886-4-23592555, 23593875
E-mail: sales@leadwell.com.tw

www.leadwell.com.tw

※ All performance are based on 220V/3PH/60HZ. Specification are subject to change without notice.

LTC-25T2/SMY
Series

8 Axes Multi-Tasking Multi-Turret CNC Lathe

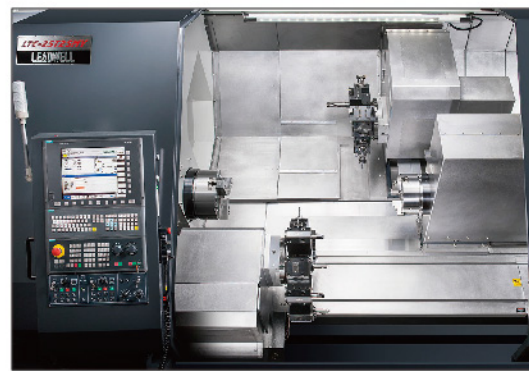
2S + 2T + Y

S

SUB-SPINDLE

The sub-spindle replaces the standard tailstock on turning centers. Special software allows the work piece to be transferred from the main spindle to the sub-spindle at any speed for secondary machining operations. This eliminates the need for operator intervention.

*Allows machining of both ends of parts.



M

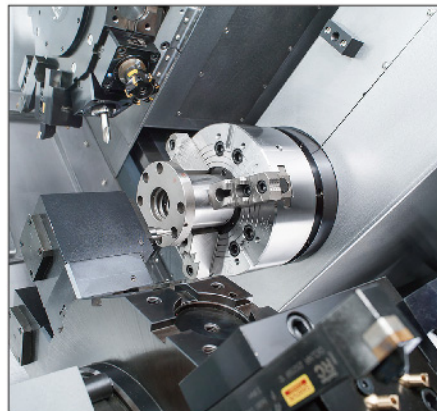
LIVE TOOL TURRET

The live tool turret replaces the standard turret on LTC-25T2/SMY turning centers. Each tool can then become a rotating tool for both milling and drilling operations.

- Tools can be either radially or axially oriented.

Power Turret Cutting Capacity:

Tool	12 live tools
Drill	20mm
End Mill	25mm
Tapping	M16xP2.0

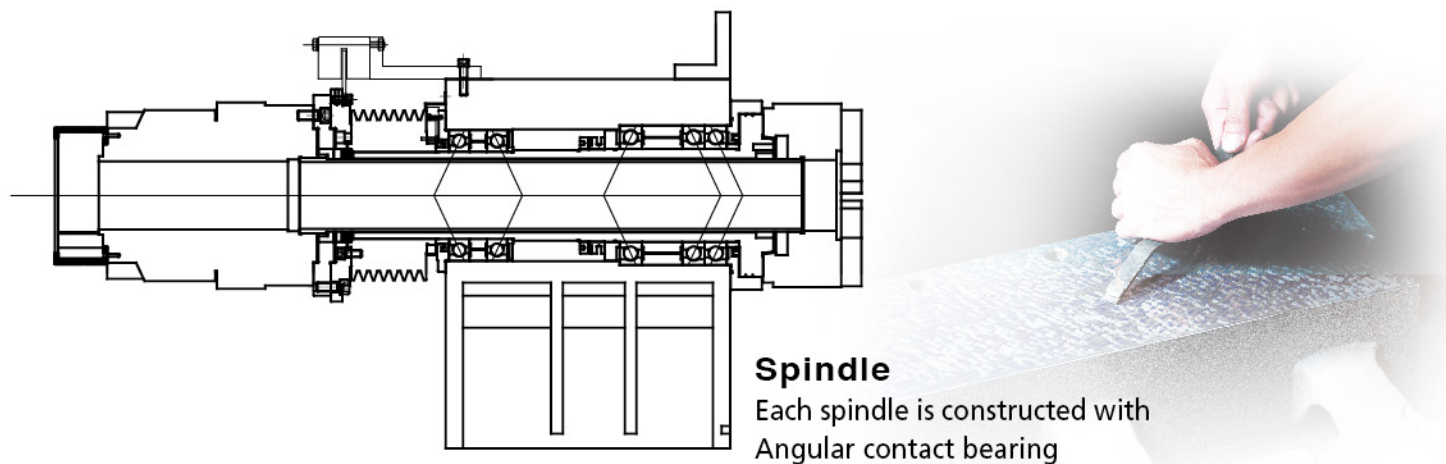
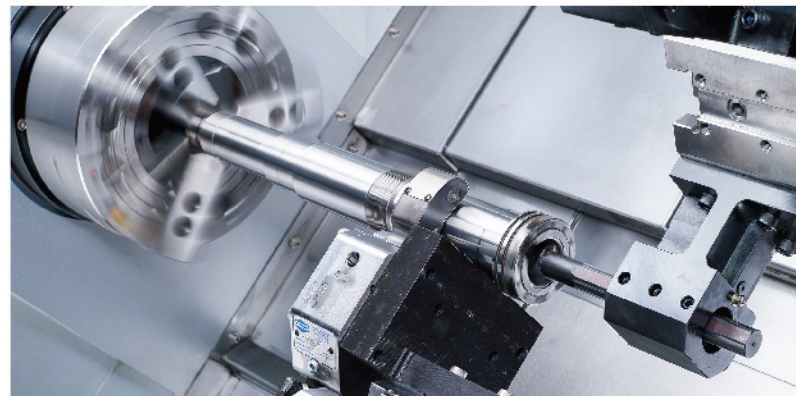
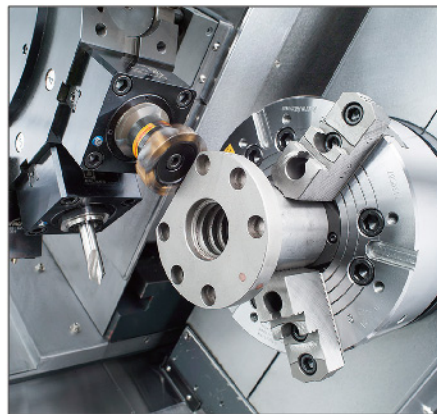
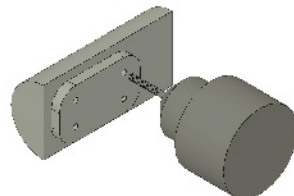


Y

A turning center can operate like a column moving machining center?

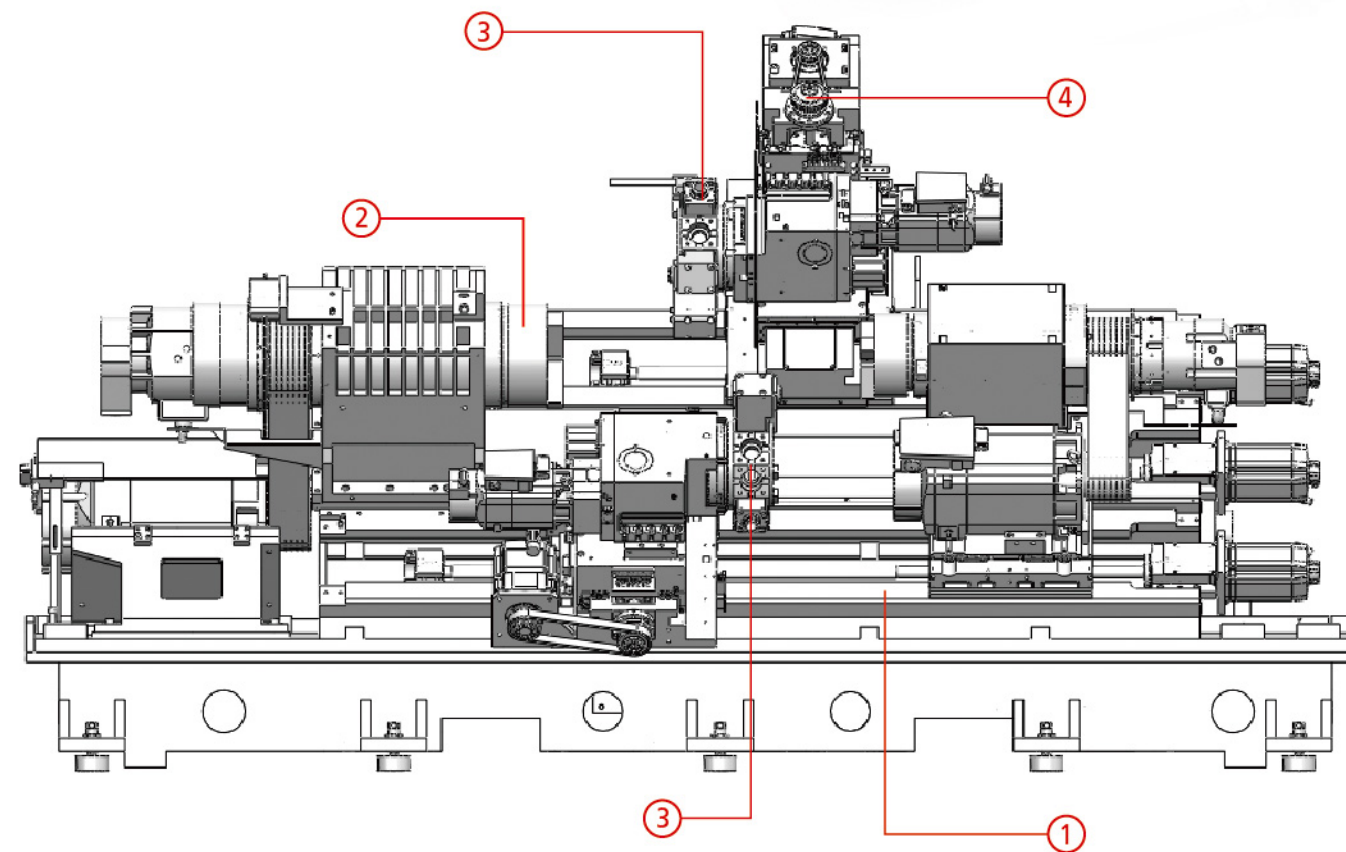
Y-AXIS

The Y axis design can increase the speed of milling and offset drilling.



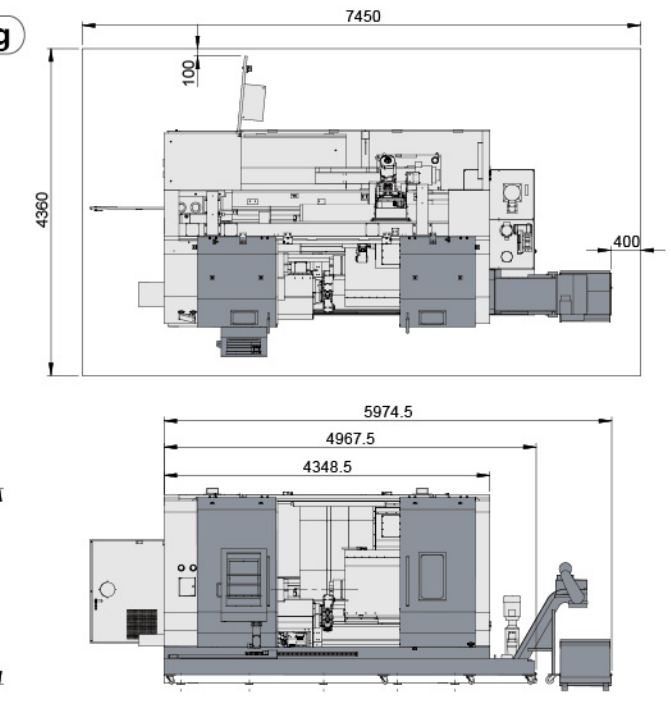
Spindle

Each spindle is constructed with Angular contact bearing

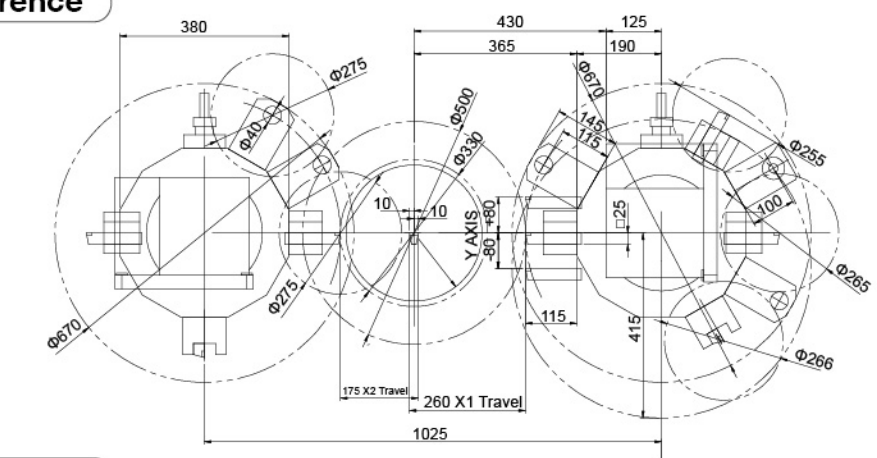


- ① The base, square way, headstock seat and motor seat are integrally formed, with large span design, the machine has high rigidity and free of vibration. The square way harden via high frequency flame, has up to HRC 50°.
- ② The machine is designed especially for work piece with 12"-15" diameter and multi- processing. Machine specifications as follows: Spindle nose A2-11 with 12" inch chuck (Option 15" inch) for both spindle. The bar capacity of the main spindle is 115mm.
- ③ The upper and the lower turret are designed to cut simultaneously and support long shaft work piece, which reduce the inactive time, and to do rough turning and fine turning all at once.
- ④ The capacity of the Y axis is +/-80mm, which allow offset processing and increase the speed of milling.

Outline & Foundation Drawing



Tool Interference



Output Diagram

